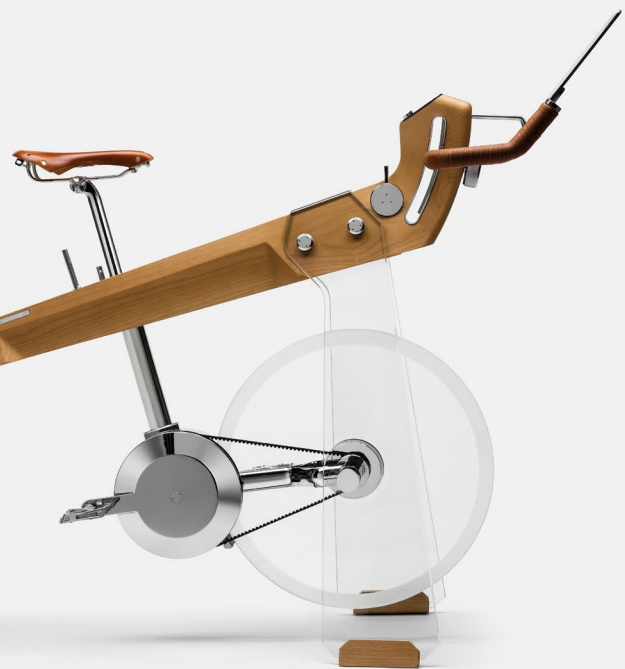


# FUORIPISTA

Bike · interactive stationary bike



made in Italy

# INTERACTIVE STATIONARY BIKE



Fuoripista *Bike* is the first Elite-branded product created from the partnership with Adriano Design: the innovative indoor stationary bike that becomes a sculptural element with an iconic image.

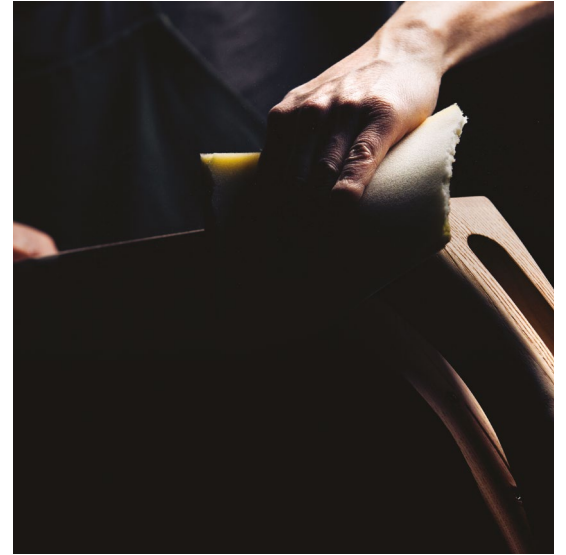
Made in Italy, created with natural refined materials and super performing, Fuoripista introduces a totally new design that highlights beauty, elegance and clean lines.



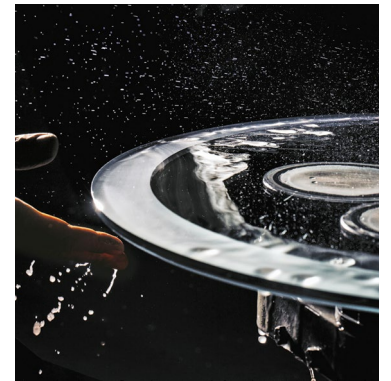
Two color variants  
available to match  
your favorite style

# REFINED MATERIALS

Ash wood, tempered glass,  
aluminum, steel:  
we chose refined materials as  
they're natural, sustainable and  
ideal to have around every day.  
Designed to last for a very long  
time with no end-of-life, this is  
a responsible, inherently "green"  
choice.



# HIGH CRAFTSMANSHIP



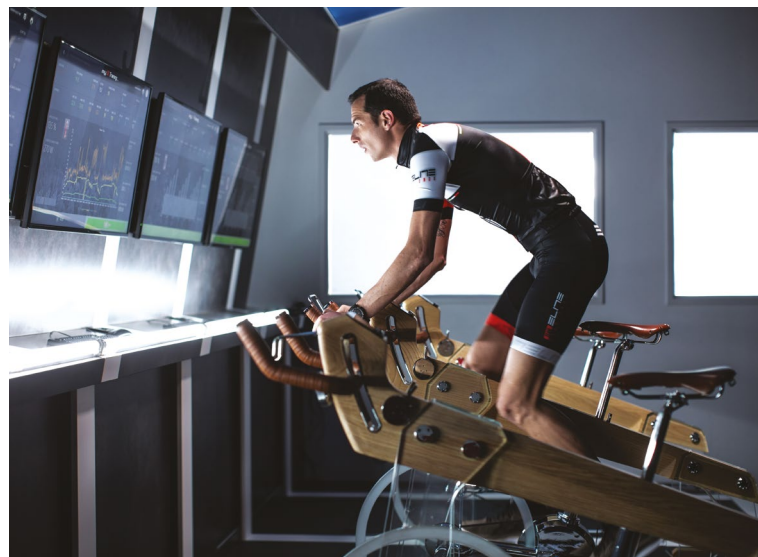


## PERFECT FITTING

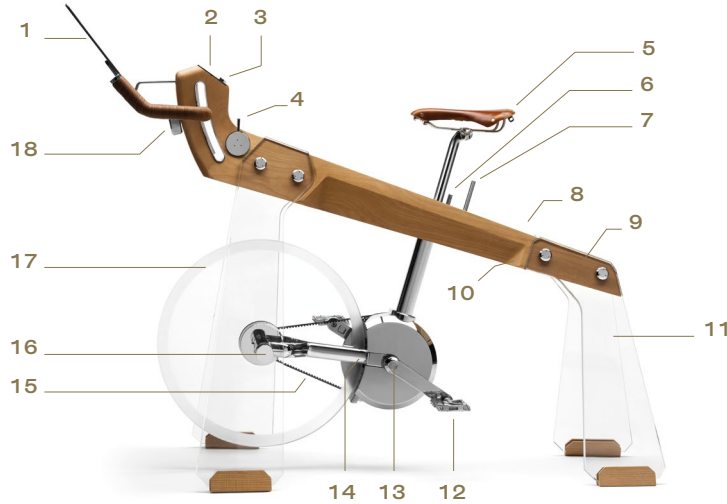
Designed for perfect fitting – from “S” size to “XL” size – as both the saddle and the handlebar are adjustable, so you can adapt it to your body and maintain the proper posture while working out.

## TECHNOLOGICAL AND INTERACTIVE

Having the most evolved equipment in the indoor cycling world makes it possible to experiment all kinds of workouts, constantly monitoring your performance and connecting to the virtual coach and the community.

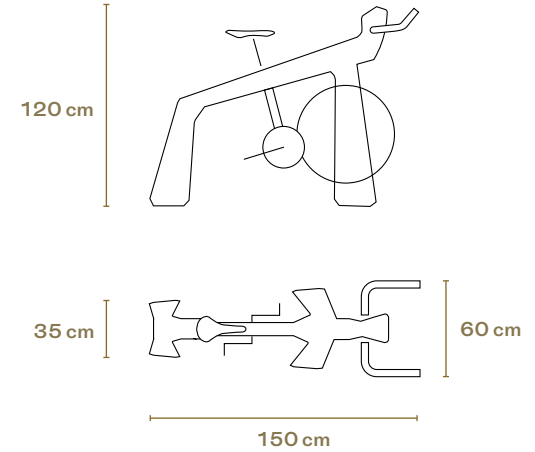


# FEATURES



- 1 virtual coach
- 2 OLED display
- 3 safety brake
- 4 virtual gear shifter
- 5 adjustable and replaceable saddle
- 6 saddle height adjustable sleeve
- 7 saddle lock wrench
- 8 solid ash wood
- 9 10 hrs battery charge
- 10 aerial for communications ANT and bluetooth
- 11 tempered glass: supports loads up to 110 kg
- 12 universal replaceable pedals
- 13 integrated power meter with  $\pm 2,5\%$  accuracy
- 14 integrated brake pads
- 15 belt transmission: ensuring total quietness
- 16 freewheel bearing
- 17 multilayered glass flywheel
- 18 handlebar adjustment sleeve

# TECH SPECS



Max load bearing		110 kg
Max gradient	60 rpm 30-28 gear	25 %
Resistance levels		16
Power meter accuracy		$\pm 2,5\%$
Battery life		10 h



**ELITE**

### Elite

Founded in 1979, it's one of the biggest world players in the manufacture of bottles, bottle-cages and home trainers.

[www.elite-it.com](http://www.elite-it.com)

[www.fuoripista.it](http://www.fuoripista.it)

**adriano design®**

### Adriano Design

Founded in 1997, the studio has a long list of partnerships with multinational companies, small and medium-sized companies and startups.